



CITY OF GRAHAM

Public Works Department

P.O. Drawer 357 201 S Main Street Graham, NC 27253

Telephone: 336-570-6705 Fax: 336-570-6703

Permit Application for Driveway

Issue Date: _____

Expiration Date: _____

Contractor: _____

Work Location: _____

Proposed Start Date: _____

Contact Name: _____

(Street Address)

Work Phone: _____

Between: _____

Mobile Phone: _____

And: _____

Email: _____

Street Closure Required? Yes No

(If yes, attach proposed detour plan, including detour routes and detour signage.)

Driveway Type: _____

Driveway Types: Residential (Standard ST-8), Commercial or Industrial

Work Description:

The Public Works Department shall be contacted at 336-570-6709 between 8:00am - 4:00pm Monday through Friday prior to and at the conclusion of any construction.

If commercial or industrial property, a Site Plan is attached.

Initial

The applicant has called 811 and all utilities have been located prior to any excavation or grading work.

Initial

All work in the public right-of-way, including driveway aprons, must be inspected when forms are in place and approved by the Public Works Department. Any unauthorized construction shall be removed at the owner's expense.

Initial

The contractor, by acceptance of this permit, assumes all liability for damages resulting from their construction and saves the City of Graham from harmless from all liability and expenses and agrees to reimburse the City of Graham for any costs, expenses, or damages which it may incur or be held liable for as a result of the Contractor's activities pursuant to this permit.

Initial

As required by section 10.240 (A) (4) (b), new driveways shall be paved for the first 10 feet, or to the edge of the Right of Way, whichever is greater.

Initial

APPROVED (BY THE CITY OF GRAHAM)

I HAVE READ AND UNDERSTAND THE ABOVE

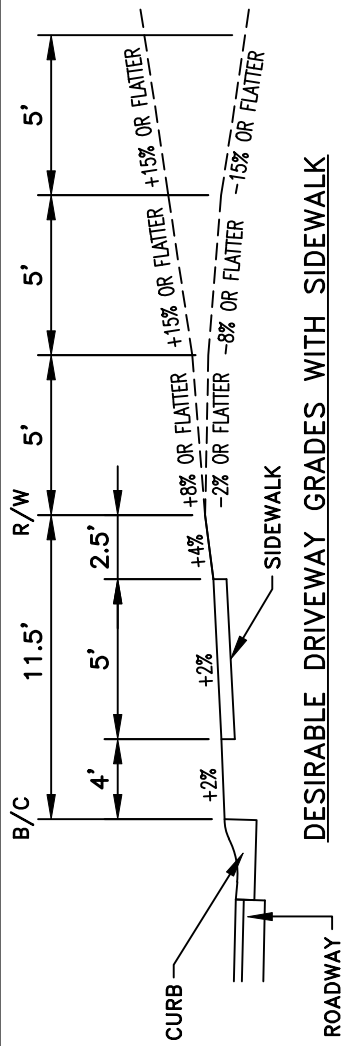
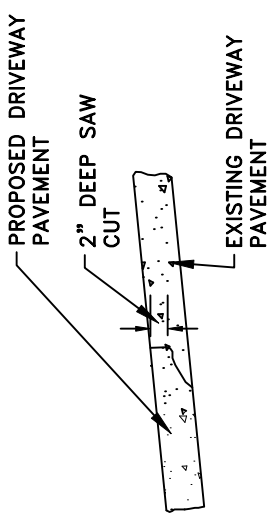
Signature

Date

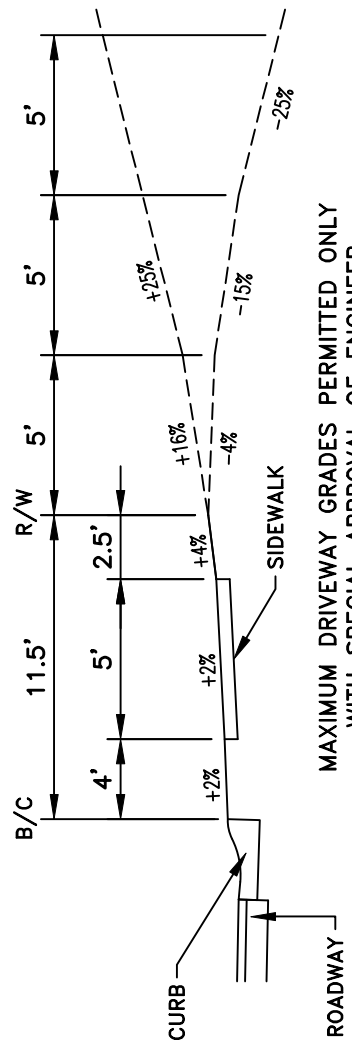
Applicants Signature

Date

METHOD OF TIE IN
 WHEN EXISTING DRIVEWAY PAVEMENT IS CONCRETE, A SAW CUT 2" DEEP SHALL BE REQUIRED AT THE POINT OF TIE IN WITH EXISTING DRIVEWAY GRADE. SAW JOINT TO BE PERPENDICULAR TO EDGE OF EXISTING DRIVEWAY PAVEMENT.

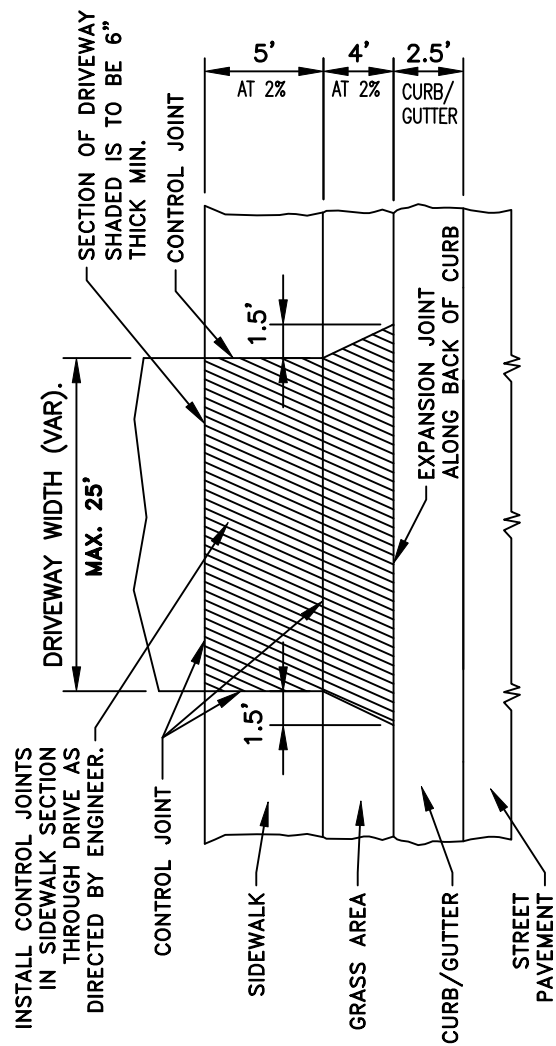


DESIRABLE DRIVEWAY GRADES WITH SIDEWALK



MAXIMUM DRIVEWAY GRADES PERMITTED ONLY WITH SPECIAL APPROVAL OF ENGINEER

MAXIMUM DRIVEWAY GRADES WITH SIDEWALK



DETAIL OF PROPOSED DRIVEWAY W/ ROLLED CURB

GENERAL NOTES:

1. INSTALL CAST IRON CLEAN-OUT FRAME & COVER OVER CLEAN OUT IF CLEAN-OUT IS IN DRIVEWAY. SEE GRAHAM'S SPECIFICATIONS DETAIL SS-14 FOR DETAILS.
2. WATER METER BOX IS TO LOCATED A MINIMUM OF 2'-0" FROM EDGE OF DRIVEWAY.
3. DRIVEWAY APRON IS TO BE 3,000 PSI CONCRETE AND AIR ENTRAINED.

CITY OF GRAHAM

ST-8

STANDARD DRIVEWAY TURNOUT DROP CURB TYPE

DWG NO.

REV.

T:DETAILS/GRAHAM
 DETAILS/2018
 DETAILS/STREET

6/11/18